

1.ELECTRICAL SPECIFICATIONS:

- 1.1 Rated current and voltage(额定电流):
3.0A 250V AC(r.m.s)
- 1.2 Dielectric Withstanding Voltage(耐电压) :
1000V AC for one minute
- 1.3 Contact Resistance(接触电阻) :
20mΩ max
- 1.4 Insulation Resistance(绝缘电阻) :
1000MΩ min
- 1.5 Operating Temperature(工作温度) :
-25℃ ~ 85℃

2.MATERIAL SPECIFICATION:

- 2.1 Insulator Material(绝缘体材质):
PA66 (nature)
- 2.2 Contact Material(端子材质):
Brass,Tin Plated
- 2.3 Applicable wire:30AWG TO 22AWG

▲ Non-tooled parts
No.of positions DIM list:

CONTACTS	DIMENSIONS	
	A	B
2	2.50	7.50
3	5.00	10.00
4	7.50	12.50
5	10.00	15.00
6	12.50	17.50
7	15.00	20.00
8	17.50	22.50
9	20.00	25.00
10	22.50	27.50
11	25.00	30.00
12	27.50	32.50
13	30.00	35.00
14	32.50	37.50
15	35.00	40.00
16	37.50	42.50
17	40.00	45.50
18	42.50	47.50
19	45.00	50.00
20	47.50	52.50

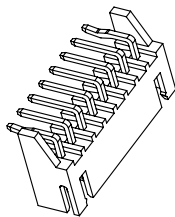
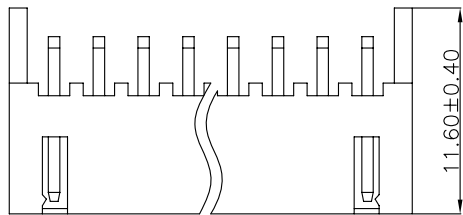
PART NO. LEGEND:
WB2503DS-XXT2

- Insulator Material: 2:PA66
- Contact Plating :T:Tin all Over
- NO of Contacts: 2 to 20
- Welding Method:DS=DIP180°
- Wafer Conn

RECOMMENDED PCB LAYOUT
(TOLERANCE:±0.10)

G	E			DRAWING:	GENERAL TOLERANCE		
	D			Hu yatao	.X:=±0.30	.X':=±2°	
C	C			CHECKED:	.XX:=±0.20	.XX':=±1°	DESCRIPTION: 2.50mm Pitch Top Entry Type K XH
	B			Tony	.XXX:=±0.10	.XXX':=±0.5°	
H	A			APPROVAL:	UNIT: MM	PROJECTION:	PART NO: WB2503DS-XXT2 REV: 1.0 CUSTOMER NO: SIZE: A4
	NO.	DATE	DESCRIPTION	APPROVAL	SCALE: N/A		
				Yang jie	SHEET: 1/1		

ROHS G103



1.ELECTRICAL SPECIFICATIONS:

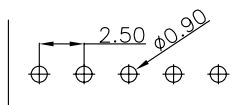
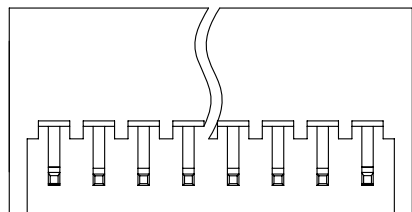
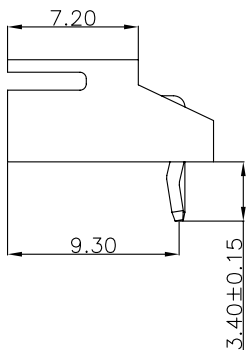
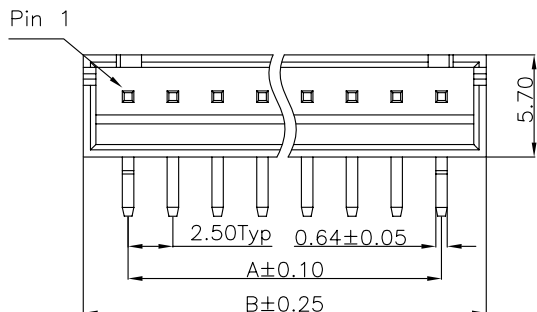
- 1.1 Rated current and voltage(额定电流):
3.0A 250V AC(r.m.s)
- 1.2 Dielectric Withstanding Voltage(耐电压) :
1000V AC for one minute
- 1.3 Contact Resistance(接触电阻) :
20mΩ max
- 1.4 Insulation Resistance(绝缘电阻) :
1000MΩ min
- 1.5 Operating Temperature(工作温度) :
-25℃ ~ 85℃

2.MATERIAL SPECIFICATION:

- 2.1 Insulator Material(绝缘体材质):
PA66 (nature)
- 2.2 Contact Material(端子材质):
Brass,Tin Plated
- 2.3 Applicable wire:28AWG TO 22AWG

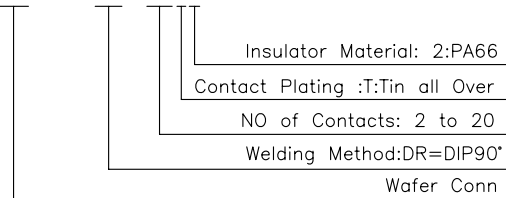
▲ Non-tooled parts
No.of positions DIM list:

CONTACTS	DIMENSIONS	
	A	B
2	2.50	7.50
3	5.00	10.00
4	7.50	12.50
5	10.00	15.00
6	12.50	17.50
7	15.00	20.00
8	17.50	22.50
9	20.00	25.00
10	22.50	27.50
11	25.00	30.00
12	27.50	32.50
13	30.00	35.00
14	32.50	37.50
15	35.00	40.00
16	37.50	42.50
17	40.00	45.50
18	42.50	47.50
19	45.00	50.00
20	47.50	52.50



RECOMMENDED PCB LAYOUT
(TOLERANCE:±0.10)

PART NO. LEGEND:
WB2503DR-XXT2

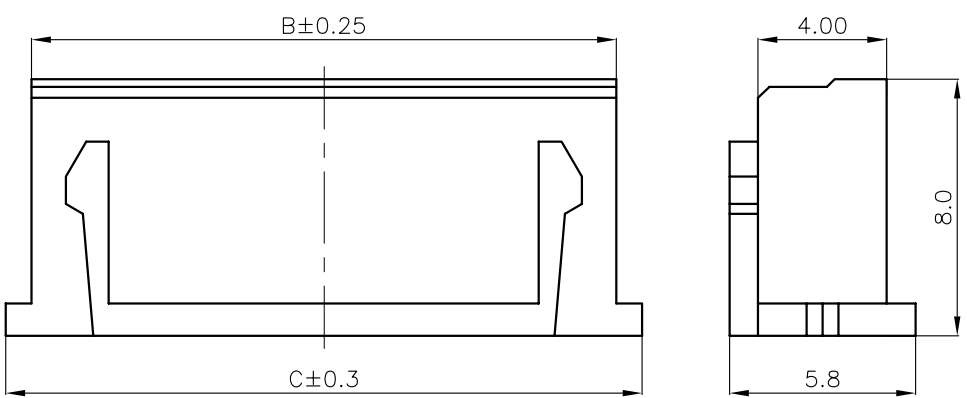
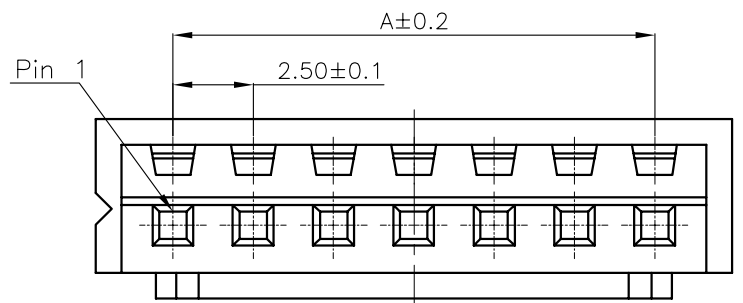


E				DRAWING:	GENERAL TOLERANCE		
D				Hu yatao	.X:=±0.30	.X':=±2°	
C				CHECKED:	.XX:=±0.20	.XX':=±1°	DESCRIPTION: 2.50mm Pitch Side Entry Type K XH
B				Tony	.XXX:=±0.10	.XXX':=±0.5°	
A	16.03.26	Drawing UP	Hu yatao	APPROVAL:	UNIT: MM	PROJECTION:	PART NO: WB2503DR-XXT2
NO.	DATE	DESCRIPTION	APPROVAL	Yang jie	SCALE: N/A		REV: 2.0
					SHEET: 1/1		CUSTOMER NO:

1 2 3 4 5 6 7 8

ROHS G103

A
B
C
D
E
F
G
H



1.ELECTRICAL SPECIFICATIONS:

- 1.1 Rated current and voltage(额定电流):
3.0A 250V AC(r.m.s)
- 1.2 Dielectric Withstanding Voltage(耐电压) :
1000V AC for one minute
- 1.3 Contact Resistance(接触电阻) :
20mΩ max
- 1.4 Insulation Resistance(绝缘电阻) :
1000MΩ min
- 1.5 Operating Temperature(工作温度) :
-25°C ~ 85°C

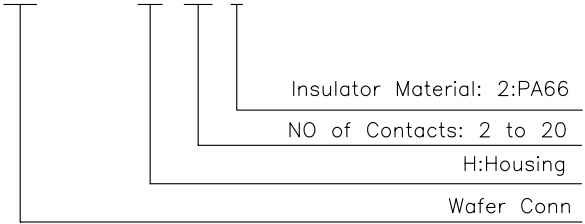
2.MATERIAL SPECIFICATION:

- 2.1 Insulator Material(绝缘体材质):
PA66,UL94V-0(nature)
- 2.2 Applicable wire:30AWG-22AWG

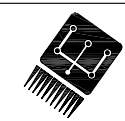
▲ Non-tooled parts
No.of positions DIM list:

CONTACTS	DIMENSIONS		
	A	B	C
2	2.50	5.70	7.50
3	5.00	8.20	10.00
4	7.50	10.70	12.50
5	10.00	13.20	15.00
6	12.50	15.70	17.50
7	15.00	18.20	20.00
8	17.50	20.70	22.50
9	20.00	23.20	25.00
10	22.50	25.70	27.50
11	25.00	28.20	30.00
12	27.50	30.70	32.50
13	30.00	33.20	35.00
14	32.50	35.70	37.50
15	35.00	38.20	40.00
16	37.50	40.70	42.50
17	40.00	43.20	45.50
18	42.50	45.70	47.50
19	45.00	48.20	50.00
20	47.50	50.70	52.50

PART NO. LEGEND:
WB2503DSH-XXP2



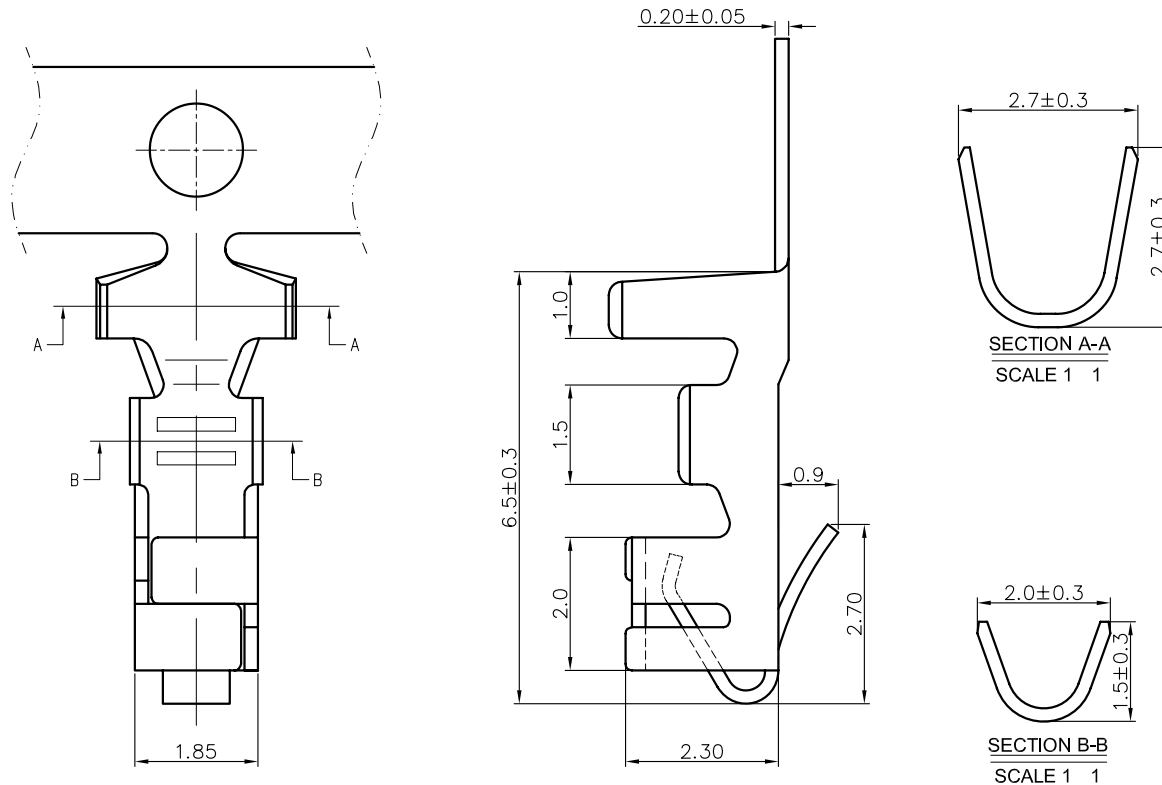
E				DRAWING: Hu yatao	GENERAL TOLERANCE .X:=±0.30 .X':=±2° .XX:=±0.25 .XX':=±1° .XXX:=±0.15 .XXX':=±0.5°	UNIT: MM	PROJECTION: 	DESCRIPTION: 2.50mm Pitch Housing Single Row
D								
C				CHECKED: Tony	SCALE: N/A	SHEET: 1/1	PART NO: WB2503DSH-XXP2	REV: 1.0
B								
A				APPROVAL: Yang jie			CUSTOMER NO:	SIZE: A4
NO.	DATE	DESCRIPTION	APPROVAL					



CHIN-BAN
electronics (H.K.) co., ltd

1 2 3 4 5 6 7 8

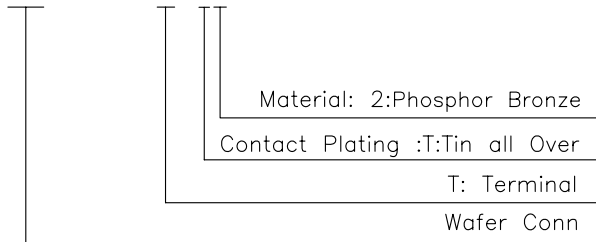
ROHS G103



1.ELECTRICAL SPECIFICATIONS:

- 1.1 Rated current and voltage(额定电流):
3.0A 250V AC(r.m.s)
- 1.2 Dielectric Withstanding Voltage(耐电压) :
1000V AC for one minute
- 1.3 Contact Resistance(接触电阻) :
20mΩ max
- 1.4 Insulation Resistance(绝缘电阻) :
1000MΩ min
- 1.5 Operating Temperature(工作温度) :
-25°C ~ 85°C
- 1.6 Material:
Phosphor Bronze (UL94V-0); Tin
- 1.7 Applicable wire:30AWG-22AWG

PART NO. LEGEND:
WB2503DST-T2



G	E			DRAWING: Hu yatao	GENERAL TOLERANCE			
	D				.X:±0.30 .X':±2°	.XX:±0.20 .XX':±1°		.XXX:±0.10 .XXX':±0.5°
C	C			CHECKED: Tony	UNIT: MM	PROJECTION:	DESCRIPTION: 2.50mm Pitch Terminal	
	B				SCALE: N/A			PART NO: WB2503DST-T2
H	A			APPROVAL: Yang jie	SHEET: 1/1		CUSTOMER NO:	SIZE: A4
	NO.	DATE	DESCRIPTION		APPROVAL			