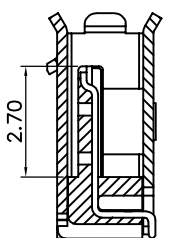
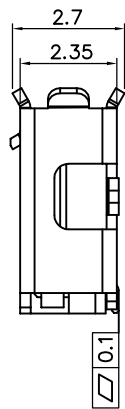
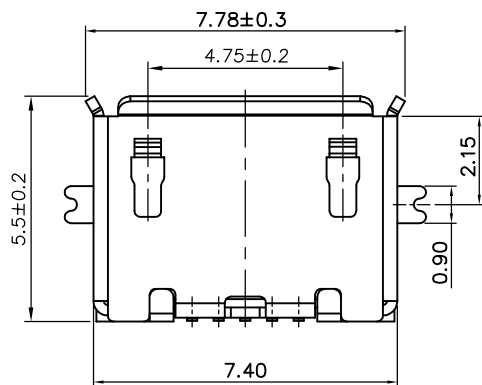
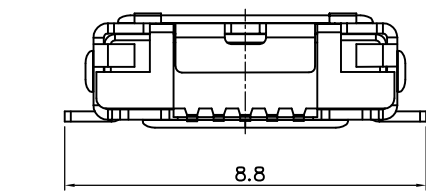
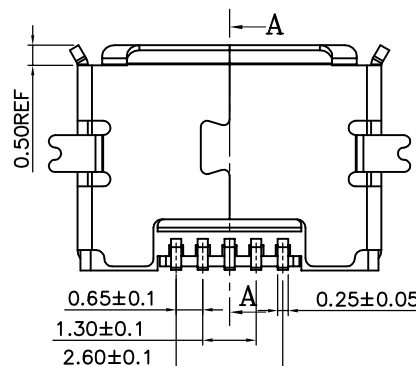


RECOMMENDED PCB LAYOUT (TOL:±0.05)



SECTION:A-A



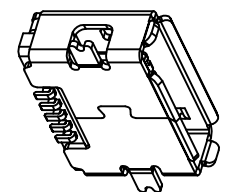
ORDERING INFORMATION

U 6 F 05 U - C X X 2 - AB
 (1)(2)(3) (4) (5) (6)(7)(8)(9) (10)

1. SERIES NO.
- U: USB CONNECTOR SERIES
2. USB TYPE
- 6: MICRO.USB 5Pin TYPE
3. USB MALE & FEMALE TYPE
- F: FEMALE
4. NUMBER OF PIN
- 05: 5 POSITIONS
5. TAIL CONSTRUCTION TYPE
- U: TERMINAL: SMD TYPE
- SHELL: SMD TYPE
6. HOUSING COLOR
- C:COLOR:BLACK AND MATERIAL :LCP
7. CONTACT PLATING
- 1: G/F 2: 5u'GOLD
- 3: 10u'GOLD 4: 15u'GOLD
- 5: 30u'GOLD 6: 3u'GOLD
8. SHELL PLATING
- N: NICKEL PLATING
- T: TIN PLATING
- G: Gold Plated
9. PLASTIC ORIENTATION POST TYPE
- 1: WITH POST
- 2: WITHOUT POST
10. B TYPE OR AB TYPE
- AB: AB TYPE

ELECTRICAL

- 1 CURRENT RATING: SIGNAL(PINS 2,3,4):1.0A
POWER(PINS 1,5):1.8A
- 2 CONTACT RESISTANCE:30 MILLIOHMS MAX.
- 3 INSULATION RESISTANCE:1000 MEGOHMS MIN.
- 4 WITHSTANDING VOLTAGE:100V AC/MINUTE
- 5 TEMPERATURE RANGE:-30°C to +85°C



G	5.0			DRAWING: Bains	GENERAL TOLERANCE			DESCRIPTION: MICRO USB 5PIN AB TYPE (SMD式)		
	4.0				CHECKED: Tian Hai	UNIT: MM			PROJECTION:	
H	3.0			APPROVAL: Tian Hai	SCALE: 1/1		PART NO: U6F05U-CXT2-AB	REV: 3.0		
	2.0				SHEET: 1/1				DRAWING NO: UK0134	SIZE: A4
	1.0									
	NO.	DATE	DESCRIPTION	APPROVAL						
	1		2	3	4	5	6	7	8	