

RoHS

ORDERING INFORMATION

U 6 F 05 U - C X X 1 - B
 (1)(2)(3) (4) (5) (6)(7)(8)(9) (10)

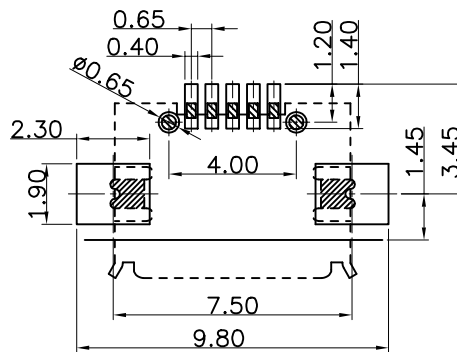
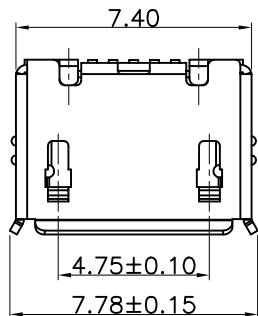
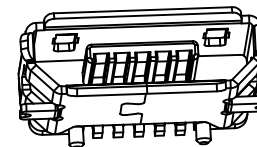
1. SERIES NO.
U: USB CONNECTOR SERIES
2. USB TYPE
6: MICRO.USB 5Pin
3. USB MALE & FEMALE TYPE
F: FEMALE
4. NUMBER OF PIN
05: 5 POSITIONS
5. TAIL CONSTRUCTION TYPE
U: TERMINAL: SMD TYPE
SHELL: SMD TYPE
6. HOUSING COLOR
C:COLOR:BLACK AND MATERIAL :LCP
7. CONTACT PLATING
1: G/F 2: 5u'GOLD
3: 10u'GOLD 4: 15u'GOLD
5: 30u'GOLD 6: 3u'GOLD
8. SHELL PLATING
T: TIN PLATING
N: NICKEL PLATING
9. PLASTIC ORIENTATION POST TYPE
1: WITH POST
10. B TYPE OR AB TYPE
B: B TYPE

MATERIAL SPECIFICATION:

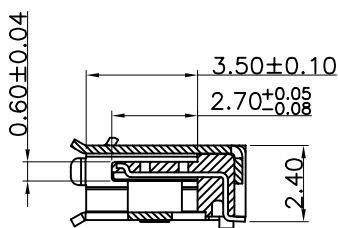
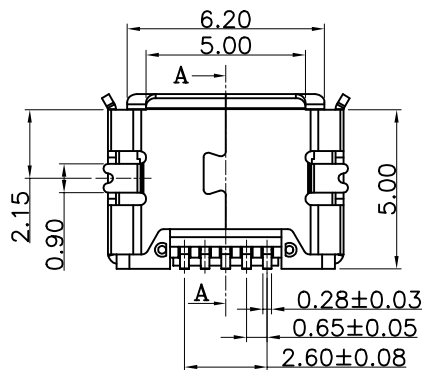
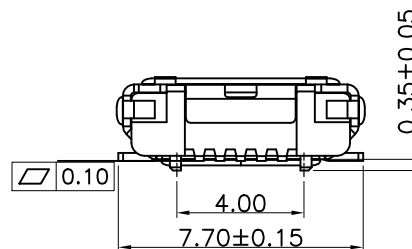
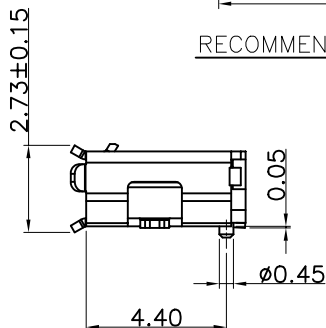
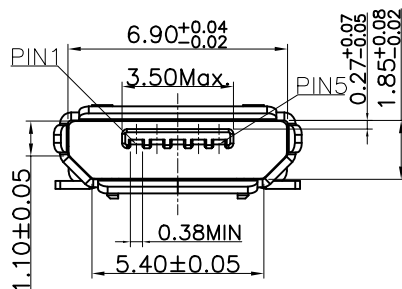
1. HOUSING:LCP+30%GF(UL94V-0)
2. CONTACT:Phosphor copper(C5191R-H)
3. SHELL:SUS304-1/2H

ELECTRICAL PERFORMANCE

1. CURRENT RATING: SIGNAL(PINS 2,3,4): 1.0A;
POWER(PINS 1,5): 1.8A
2. RATED VOLTAGE(MAX.):30 VOLTS AC (RMS)
3. DIELECTRIC STRENGTH:100V AC FOR 1 MINUTE
BETWEEN ADJACENT TERMINAL, NO BREAKDOWN
4. INSULATION RESISTANCE:1000 MEGOHMS MIN. 500V
DC FOR 1 MINUTE BETWEEN ADJACENT TERMINAL
5. CONTACT RESISTANCE:30 MILLIOHM MAX.
6. OPERATING TEMPERATURE:-30° to +85°



RECOMMENDED PCB LAYOUT



SECTION:A-A

5.0	2017.01.20	Revised remark column	Tian Hai
4.0	2015.8.4	Revised dimensional Tolerance	Tian Hai
3.0	2014.10.17	Revised dimensional Tolerance	Xiao Yong
2.0	2014.8.8	Add to dimension control	Xiao Yong
1.0	2011.6.8	NEW	Xiao Yong
NO.	DATE	DESCRIPTION	APPROVAL

DRAWING:
TLG

CHECKED:
Tian Hai

APPROVAL:
Tian Hai

GENERAL TOLERANCE	
.X:=±0.30	.X':=±2'
.XX:=±0.20	.XX':=±1'
.XXX:=±0.10	.XXX':=±0.5'
UNIT: MM	PROJECTION:
SCALE: N/A	
SHEET: 1/1	



CHIN-BAN
electronics (H.K.) co., ltd

DESCRIPTION: Micro USB 5PIN B TYPE	
PART NO: U6F05U-CXX1-B	REV: 5.0
DRAWING NO: UK0021	SIZE: A4