

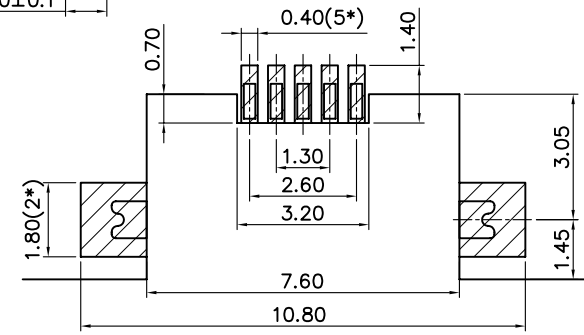
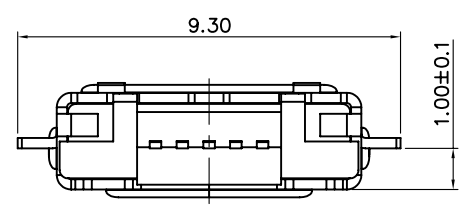
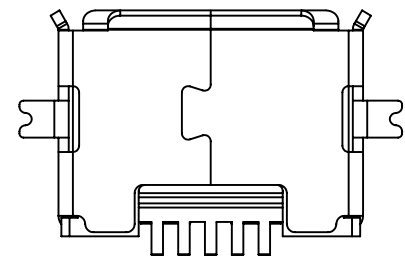
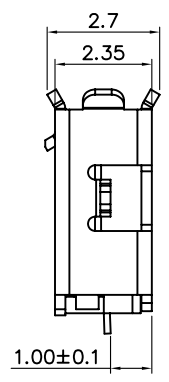
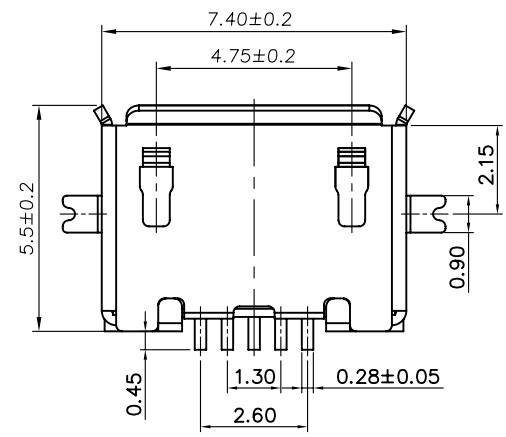
ELECTRICAL

- Current rating:
1.0A AC/DC
- Contact resistance:
30 milliohms max
- Insulation resistance:
100 Megohms min
- Withstanding voltage:
250V AC/minute
- Temperature range:
-25°C to +85°C


ORDERING INFORMATION

U 6 F 05 H - C X T 2 - AB
 (1)(2)(3) (4) (5) (6)(7)(8)(9) (10)

- SERIES NO.
U: USB CONNECTOR SERIES
- USB TYPE
6: MICRO.USB 5Pin TYPE
- USB MALE & FEMALE TYPE
F: FEMALE
- NUMBER OF PIN
05: 5 POSITIONS
- TAIL CONSTRUCTION TYPE
H: TERMINAL: DEEP SMD TYPE
SHELL: DEEP SMD TYPE
- HOUSING COLOR
C:COLOR:BLACK AND MATERIAL :LCP
- CONTACT PLATING
1: G/F 2: 5u'GOLD
3: 10u'GOLD 4: 15u'GOLD
5: 30u'GOLD 6: 3u'GOLD
- SHELL PLATING
T: TIN PLATING
- PLASTIC ORIENTATION POST TYPE
2: WITHOUT POST
- B TYPE OR AB TYPE
AB: AB TYPE



RECOMMENDED PCB LAYOUT (TOL:±0.05)

5				DRAWING:	GENERAL TOLERANCE		 <p>CHIN-BAN electronics (H.K) co., ltd</p>
4				<i>Match</i>	.X:±0.30 .X°:±2°		
3				CHECKED:	.XX:±0.20 .XX°:±1°		
2				<i>Toms</i>	.XXX:±0.10 .XXX°:±0.5°		
1				APPROVAL:	UNIT: MM PROJECTION:	DESCRIPTION:	
NO.	DATE	DESCRIPTION	APPROVAL	<i>Felicia</i>	SCALE: 1/1	MICRO USB 5PIN AB TYPE (沉板式)	
1					SHEET: 1/1	PART NO: U6F05H-CXT2-AB REV: 1.0	
						DRAWING NO: P2U6F05H-CXT2-AB-01 SIZE: A4	