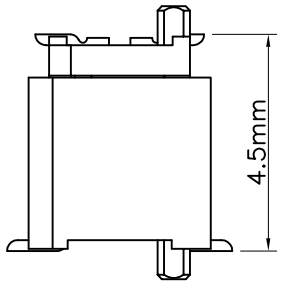
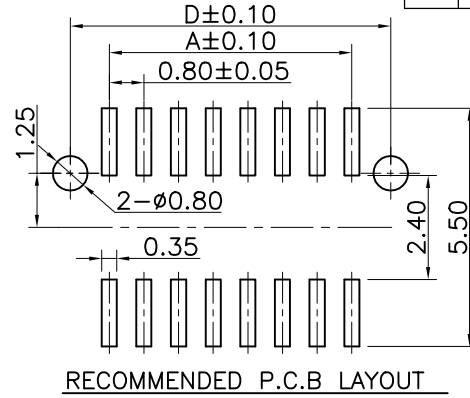
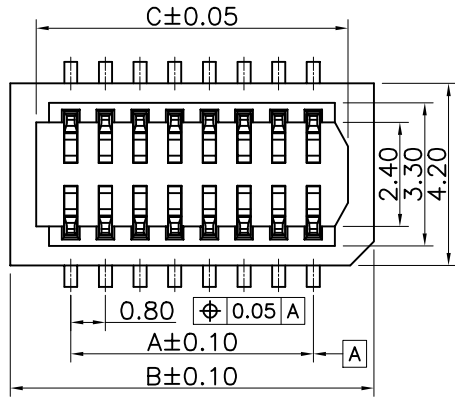


ROHS

NO.	COMPONENTS	MATERIALS	SPECIFICATION:FINISH/COLOR	QTY.
1	HOUSING	PA9T (UL94V-0)	NATURAL	1
2	TERMINAL	BRASS	THE SURFACE: AU AND TIN	N

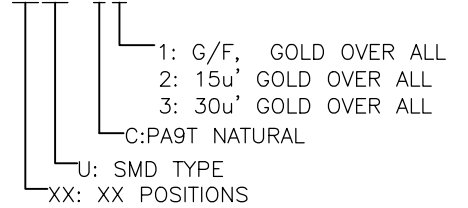


MATING HEIGHT:4.50mm

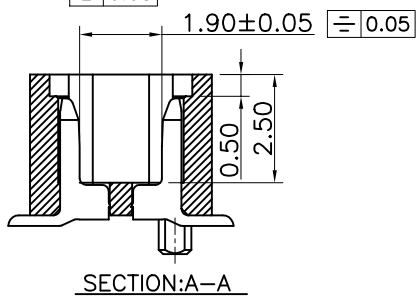
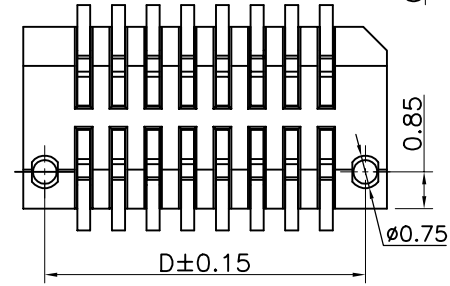
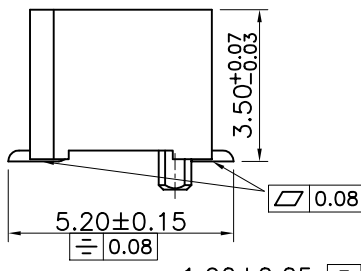
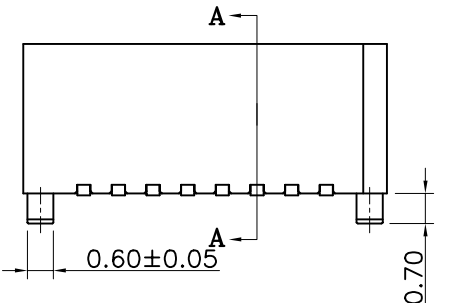


NOTE:  
1.ALL MATERIAL MUST BE COMPLY WITH ROHS.  
2.PART NO. LEGEND:

B2FXXU-CXS8-R



CIRCUITS	DIM A	DIM B	DIM C	DIM D
2x5	3.20	6.00	4.80	5.00
2x6	4.00	6.80	5.60	5.80
2x7	4.80	7.60	6.40	5.60
2x8	5.60	8.40	7.20	7.40
2x9	6.40	9.20	8.00	8.20
2x10	7.20	10.00	8.80	9.00
2x11	8.00	10.80	9.60	9.80
2x12	8.80	11.60	10.40	10.60
2x13	9.60	12.40	11.20	11.40
2x14	10.40	13.20	12.00	12.20
2x15	11.20	14.00	12.80	13.00
2x16	12.00	14.80	13.60	13.80
2x17	12.80	15.60	14.40	14.60
2x18	13.60	16.40	15.20	15.40
2x19	14.40	17.20	16.00	16.20
2x20	15.20	18.00	16.80	17.00
2x21	16.00	18.80	17.60	17.80
2x22	16.80	19.60	18.40	18.60
2x23	17.60	20.40	19.20	19.40
2x24	18.40	21.20	20.00	20.20
2x25	19.20	22.00	20.80	21.00



ELECTRICAL PERFORMANCE:  
1. RATED VOLTAGE(MAX.):50V AC/DC  
2. RATED CURRENT(MAX.):0.5A AC/DC  
3. DIELECTRIC STRENGTH:250V AC FOR 1 MINUTE BETWEEN ADJACENT TERMINAL, NO BREAKDOWN  
4. INSULATION RESISTANCE:500 MEGOHMS MIN. 250V DC FOR 1 MINUTE BETWEEN ADJACENT TERMINAL  
5. CONTACT RESISTANCE:30 MILLIOHM MAX.  
6. OPERATING TEMPERATURE:-25°C to +85°C

5.0				DRAWING:
4.0				ZLW
3.0	2016.6.30	修改图框	Tian hai	CHECKED:
2.0	2012.9.14	修改产品合高尺寸标注精度	Tian hai	Tian hai
1.0	2011.11.03	NEW	Tian hai	APPROVAL:
NO.	DATE	DESCRIPTION	APPROVAL	Cykin

GENERAL TOLERANCE	
.X:±0.30	.X':±2"
.XX:±0.20	.XX':±1"
.XXX:±0.10	.XXX':±0.5"
UNIT: MM	PROJECTION:
SCALE: N/A	
SHEET: 1/1	



**CHIN-BAN**  
electronics (H.K) co., ltd

DESCRIPTION: 0.8mm Board to Board Socket	
PART NO: B2FXXU-CXS8-R	REV: 3.0
DRAWING NO: UK0280	SIZE: A4