

RECOMMENDED P.C.B LAYOUT

MATERIAL SPECIFICATION:

1. HOUSING:PBT/LCP(UL94V-0) COLOR:BLACK/WHITE
2. CONTACT:PHOSPHOR BRONZE
3. SHELL:BRASS/SPCC/PHOSPHOR BRONZE

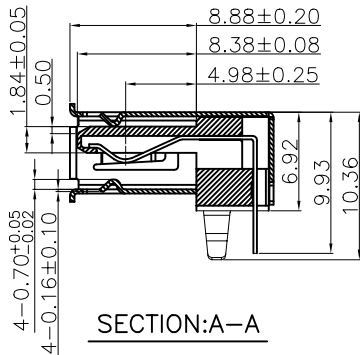
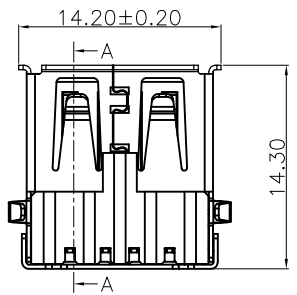
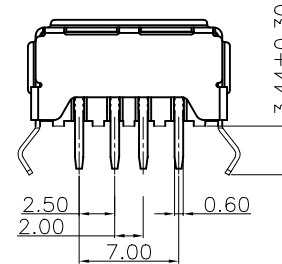
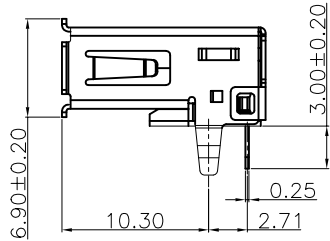
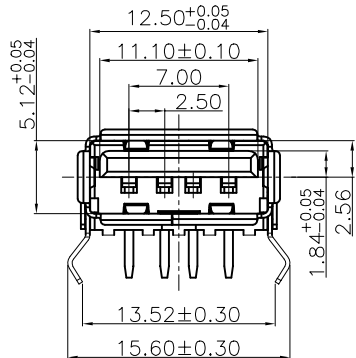
ELECTRICAL PERFORMANCE

1. RATED VOLTAGE(MAX.):30V AC/DC
2. RATED CURRENT(MAX.):1.5A AC/DC
3. DIELECTRIC STRENGTH:500V AC FOR 1 MINUTE BETWEEN ADJACENT TERMINAL, NO BREAKDOWN
4. INSULATION RESISTANCE:1000 MEGOHMS MIN. 500V DC FOR 1 MINUTE BETWEEN ADJACENT TERMINAL
5. CONTACT RESISTANCE:30 MILLIOHM MAX.
6. OPERATING TEMPERATURE:-55° to +85°

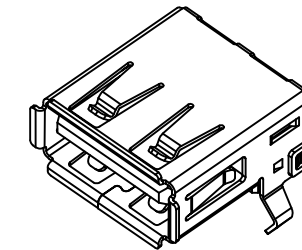
ORDERING INFORMATION

U 1 F 04 D - X X X - 13
(1)(2)(3) (4) (5) (6)(7)(8)

1. SERIES NO.
U: USB CONNECTOR SERIES
2. USB TYPE
1: USB 4PIN A TYPE
3. USB MALE & FEMALE TYPE
F: FEMALE
4. NUMBER OF PIN
04: 4 POSITIONS
5. TAIL CONSTRUCTION TYPE
D: TERMINAL: DIP TYPE
SHELL: DIP TYPE
6. HOUSING MATERIAL
A: MATERIAL:PBT,WHITE
B: MATERIAL:LCP,BLACK
C: MATERIAL:LCP,WHITE
D: MATERIAL:PBT,BLACK
7. CONTACT PLATING:
1: GOLD FLASH OVER NICKEL ON CONTACT AREA AND 100u" MIN. TIN PLATING OVER NICKEL ON SOLDER TAILS
2: 3u"GOLD PLATING OVER NICKEL ON CONTACT AREA AND 100u" MIN. TIN PLATING OVER NICKEL ON SOLDER TAILS
3: 30u"GOLD PLATING OVER NICKEL ON CONTACT AREA AND 100u" MIN. TIN PLATING OVER NICKEL ON SOLDER TAILS
4: 15u"GOLD PLATING OVER NICKEL ON CONTACT AREA AND 100u" MIN. TIN PLATING OVER NICKEL ON SOLDER TAILS
8. SHELL PLATING AND THE MATERIAL
B: SHELL MATERIAL:BRASS;NICKEL PLATING ALL OVER
S: SHELL MATERIAL:SPCC;NICKEL PLATING ALL OVER
P: SHELL MATERIAL:PHOSPHOR BRONZE NICKEL PLATING ALL OVER



SECTION:A-A



★ 端子2,3Pin不短路

5.0			
4.0			
3.0			
2.0			
1.0			
NO.	DATE	DESCRIPTION	APPROVAL

DRAWING:	Bains
CHECKED:	Tian hai
APPROVAL:	Tian hai

GENERAL TOLERANCE	
.X:=±0.30	.X':=±2'
.XX:=±0.20	.XX':=±1'
.XXX:=±0.10	.XXX':=±0.5'
UNIT: MM	PROJECTION:
SCALE: N/A	
SHEET: 1/1	



CHIN-BAN
electronics (H.K.) co., ltd

DESCRIPTION: USB Conn. Female A Type 90°	
PART NO: U1F04D-XXX-13	REV: 4.0
DRAWING NO:UK0034	SIZE: A4