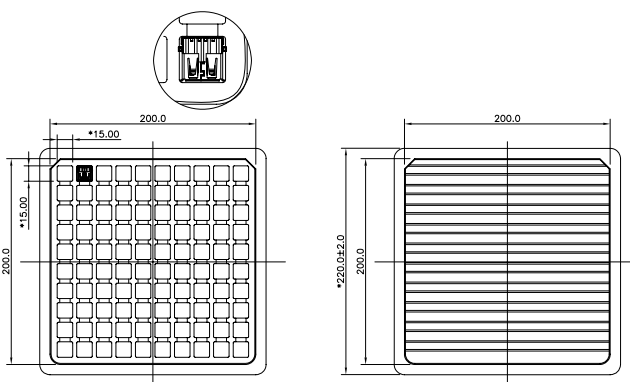


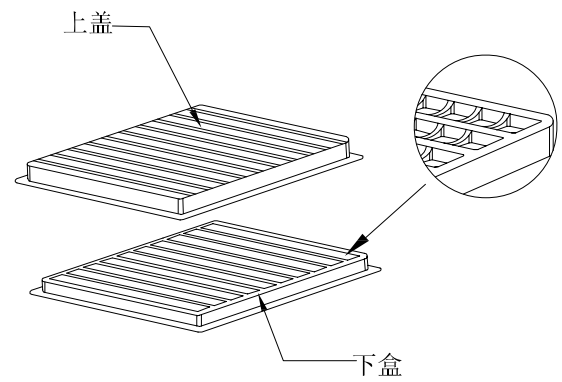
1 2 3 4 5 6 7 8

A  
B  
C  
D  
E  
F  
G  
H

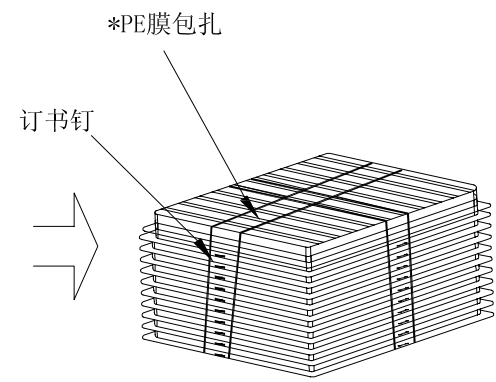
A  
B  
C  
D  
E  
F  
G  
H



① PE真空盒 (set)

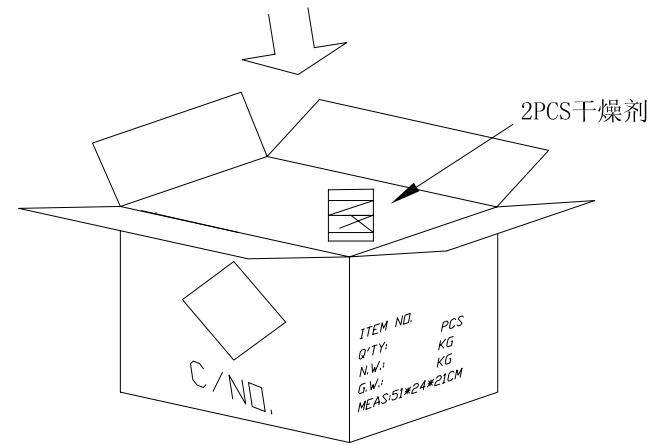
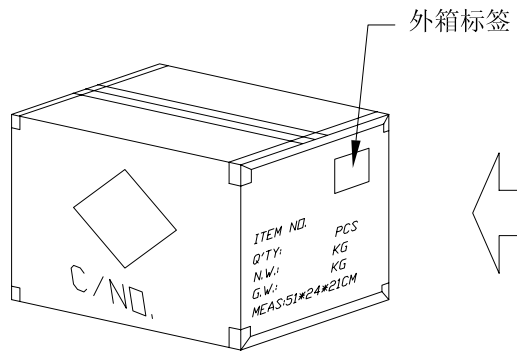


② 100PCS/盒四周订书钉装订


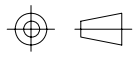


③ 15盘用PE膜包装成扎

1. PE真空盒 (1Set)
2. 每盒装成品100pcs, 四周并用订书机装订,
3. 每箱装30盒 (3000pcs)
4. 纸箱尺寸 (L\*W\*H) 51.0\*24.0\*21.0cm



④ 2扎包装入箱  
若尾数箱在  
空间处加装填充物

				DRAWING: Henry	GENERAL TOLERANCE .X: =±0.3    .X': =±2° .XX: =±0.20    .XX': =±1° .XXX: =±0.100    .XXX': =±0.5°		 <b>CHIN-BAN</b> electronics (H.K) co., ltd	
				CHECKED:	UNIT: MM	PROJECTION:		
				APPROVAL:	SCALE: 1/1		PART NO: F-U1F04X-XXN-11	REV: 1.0
NO.	DATE	DESCRIPTION	APPROVAL	SHEET: 1/1	DRAWING NO: UT0067		SIZE: A4	

1 2 3 4 5 6 7 8