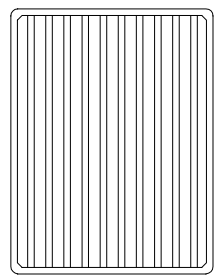
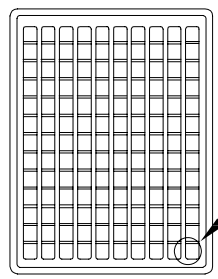


1 2 3 4 5 6 7 8

A B C D E F G H

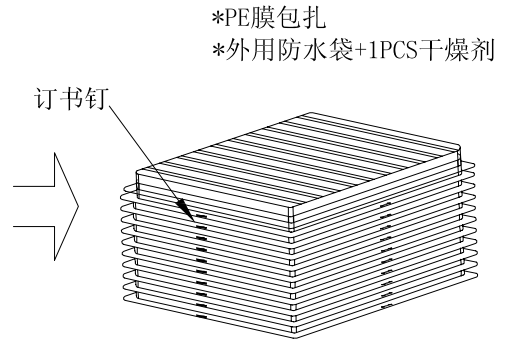
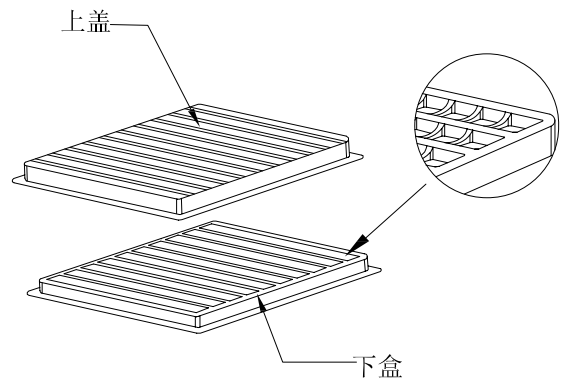


上盖



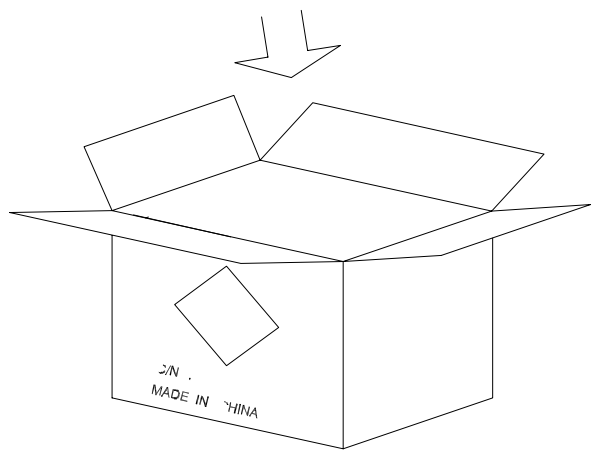
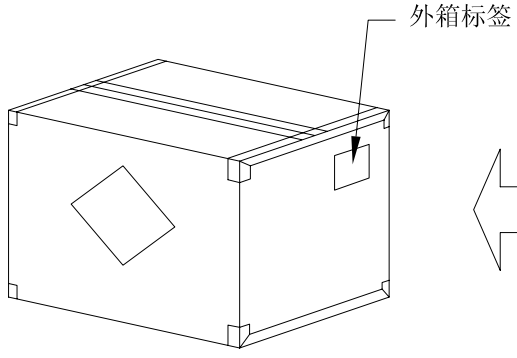
下盖

① PE真空盒 (set)



② 100PCS/盒四周订书钉装订

1. PE真空盒 (1Set)
2. 每盒装成品100pcs, 四周并用订书机装订,
3. 每箱装XX盒 (3500pcs)
4. 每两内箱装一外箱并贴上标签
5. 出现异常时应及时汇报上级主管
6. 纸箱尺寸 (L\*W\*H) 32\*23\*33cm



③ 若尾数箱在空间处加装填充物

DRAWING: Bains				GENERAL TOLERANCE			
CHECKED:				.X:±0.3 .X°:±2° .XX:±0.20 .XX°:±1° .XXX:±0.100 .XXX°:±0.5°			
APPROVAL:				UNIT: MM	PROJECTION:	DESCRIPTION:	
NO. DATE DESCRIPTION APPROVAL				SCALE: 1/1		USB Connector A Type FEMALE DIP180°	
16.1.6 NEW Tian Hai				SHEET: 1/1		PART NO: U1F04D-X2N3B-I	REV: 1.0
DRAWING NO:						SIZE: A4	

1 2 3 4 5 6 7 8