

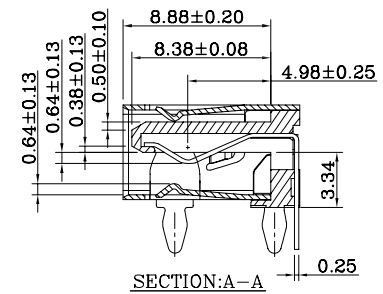
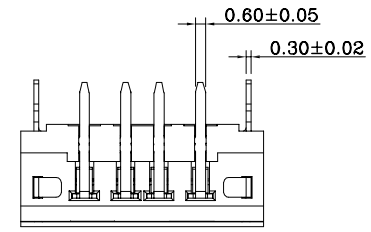
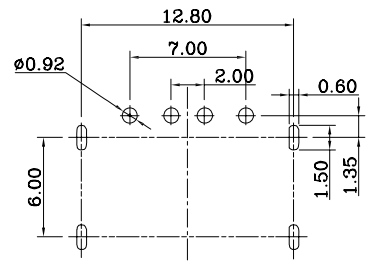
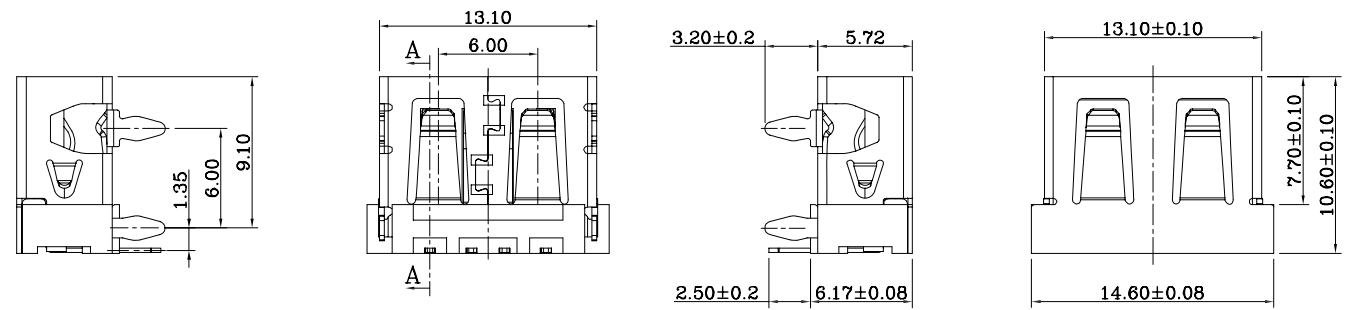
**MATERIAL SPECIFICATION:**  
 1. HOUSING:HEIGHT TEMP. PLASTIC(UL94V-0)  
 2. CONTACT:PHOSPHOR BRONZE  
 3. SHELL:PHOSPHOR BRONZE


**ELECTRICAL PERFORMANCE**  
 1. RATED VOLTAGE(MAX.):30V AC/DC  
 2. RATED CURRENT(MAX.):2.1A AC/DC  
 3. DIELECTRIC STRENGTH:500V AC FOR 1 MINUTE BETWEEN ADJACENT TERMINAL, NO BREAKDOWN  
 4. INSULATION RESISTANCE:1000 MEGOHMS MIN. 500V DC FOR 1 MINUTE BETWEEN ADJACENT TERMINAL  
 5. CONTACT RESISTANCE:30 MILLIOHM MAX.  
 6. OPERATING TEMPERATURE:-20° to +60°

**ORDERING INFORMATION**

U 1 F 04 D - X X N - 4  
 (1)(2)(3) (4) (5) (6)(7)(8) (9)

- SERIES NO.  
U: USB CONNECTOR SERIES
- USB TYPE  
1: USB 4PIN A TYPE
- USB MALE & FEMALE TYPE  
F: FEMALE
- NUMBER OF PIN  
04: 4 POSITIONS
- TAIL CONSTRUCTION TYPE  
D: TERMINAL: DIP TYPE  
SHELL: DIP TYPE
- HOUSING MATERIAL  
A: MATERIAL:PBT,WHITE  
B: MATERIAL:LCP,BLACK  
C: MATERIAL:LCP,WHITE
- CONTACT PLATING:  
1: GOLD FLASH OVER NICKEL ON CONTACT AREA AND 100u" MIN. TIN PLATING OVER NICKEL ON SOLDER TAILS  
2: 3u"GOLD PLATING OVER NICKEL ON CONTACT AREA AND 100u" MIN. TIN PLATING OVER NICKEL ON SOLDER TAILS  
3: 30u"GOLD PLATING OVER NICKEL ON CONTACT AREA AND 100u" MIN. TIN PLATING OVER NICKEL ON SOLDER TAILS  
4: 15u"GOLD PLATING OVER NICKEL ON CONTACT AREA AND 100u" MIN. TIN PLATING OVER NICKEL ON SOLDER TAILS
- SHELL PLATING  
N: NICKEL PLATING
- USB CONSTRUCT  
4: SHELL FEET LENGHT:3.2mm



5				DRAWING:	GENERAL TOLERANCE		DESCRIPTION: USB Connector Female A Type 90° (脚长3.2mm)
4			<i>Match</i>	X: =±0.30 X°: =±2°	UNIT: MM PROJECTION: SCALE: 1/1 SHEET: 1/1		
3			CHECKED:	.XX: =±0.20 .XX°: =±1°			
2			<i>tank</i>	.XXX: =±0.10 .XXX°: =±0.5°			
1			APPROVAL:				
NO.	DATE	DESCRIPTION	APPROVAL	<i>yang</i>		PART NO: U1F04D-XXN-4	REV: 1.0
1		2	3	4	5	DRAWING NO: P2U1F04D-XXN-4-01	SIZE: A4