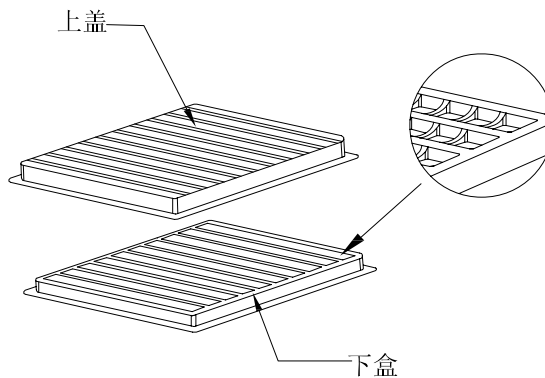
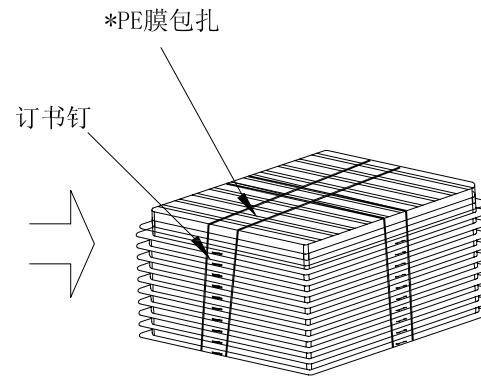


① PE真空盒 (set)

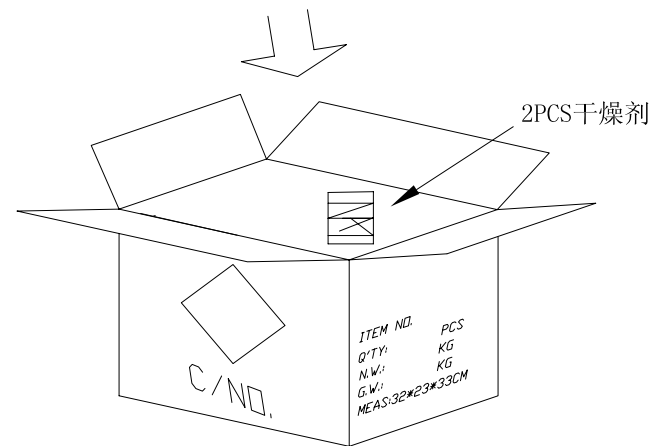
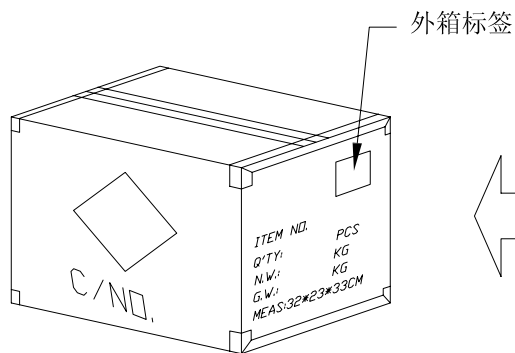


② 100PCS/盒四周订书钉装订


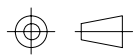


③ 20盘用PE膜包装成扎

1. PE真空盒 (1Set)
2. 每盒装成品100pcs, 四周并用订书机装订,
3. 每箱装40盒 (4000pcs)
4. 纸箱尺寸 (L*W*H) 32.0*23.0*33.0cm



④ 2扎包装入箱
若尾数箱在
空间处加装填充物

5.0				DRAWING:	GENERAL TOLERANCE		 CHIN-BAN electronics (H.K) co., ltd		
4.0				Bains	.X:=±0.3	.X':=±2°			
3.0				CHECKED:	.XX:=±0.20	.XX':=±1°	DESCRIPTION:		
2.0					.XXX:=±0.100	.XXX':=±0.5°			USB Connector A Type FEMALE DIP
1.0	16.1.5	NEW	Tian hai	APPROVAL:	UNIT: MM	PROJECTION:	PART NO:	F-U1F04H-XXN-01	REV: 1.0
NO.	DATE	DESCRIPTION	APPROVAL		SCALE: 1/1		DRAWING NO:	UT0085	SIZE: A4
					SHEET: 1/1				