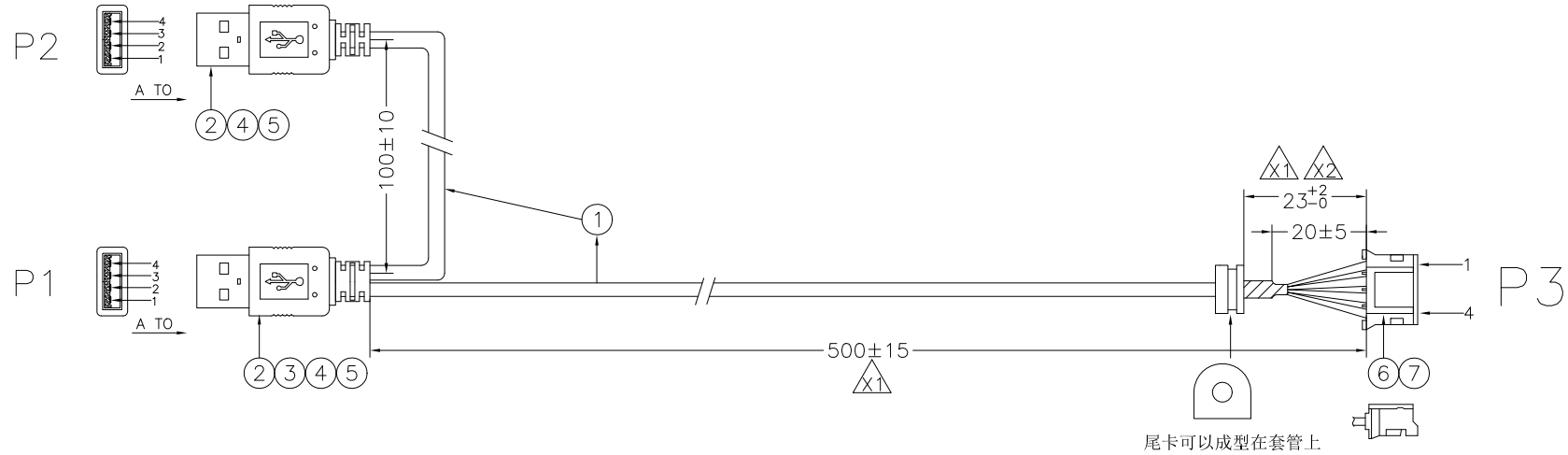


**ROHS+REACH**

NO.	DATE	DESCRIPTION	APPROVAL
X0	2017.06.14	NEW PRODUCT	Huyatao
X1	2017.07.31	DRAWING UP	Huyatao
X2	2017.08.03	DRAWING UP	Huyatao
X3	2017.08.16	DRAWING UP	Huyatao
X4	2017.09.02	DRAWING UP	Huyatao
X5	2017.09.04	DRAWING UP	Huyatao



WIRE DEFINITION

P1	COLOR	P2	P3
1	RED	1	1
2	WHITE	NC	2
3	GREEN	NC	3
4	BLACK	4	4

NOTES:

- 1.100% CONTINUNY TEST ANY OPEN OR MIS WIRE, SHORT OR INTERMITENCE ARE NOT PERMITTED
- 2.INSULATION RESISTANCE:20M OHMS MIN
- 3.CONDUCTOR RESISTANCE:3Ω MAX

⑦	Terminal	CRIMP TERMINAL MALTERIALS: PHOSPHOR BRONZE TIN-PLATED	4PCS	
⑥	Housing	SINGLE ROW SOCKET PITCH:2.0mm*4PIN WHITE	1PCS	
⑤	TUBE	SHRINK TUBE: φ1.0*10mm BLACK 125° 300V	4PCS	
④	EXTMOLD	PVC 45P BLACK	6G	
③	PREMOLD	PE TRANSPARENT COLOR	2G	
②	USB	USB A/M SHORT BODY COUNECTOR	2PCS	
①	WIRE	UL2725 28AWG*1P(RGEEN/WHITE)+24AWG(RED/BLACK)*2C+1C JACKET:PVC BLACK OD:4.0mm	2PCS	
ITEM	TITLE	SPECIFICATION	Q'TY	CHIN-BAN P/N

DRAWING:	TOLERANCE .X:=±0.50 .XX:=±0.30 .XXX:=±0.10 .X°:=±2°		
Huyatao			
CHECKED:	DESCRIPTION:		
Yangjie	USB A/M TO PH-4Y		
APPROVAL:	UNIT: mm	CUSTOMER:	REV: X5
	SCALE:N/A	CUSTOMER P/N:	DEF. UK
	SHEET:1/1	DRAWING NO: A-M4H4-L500-S170	SIZE: A4