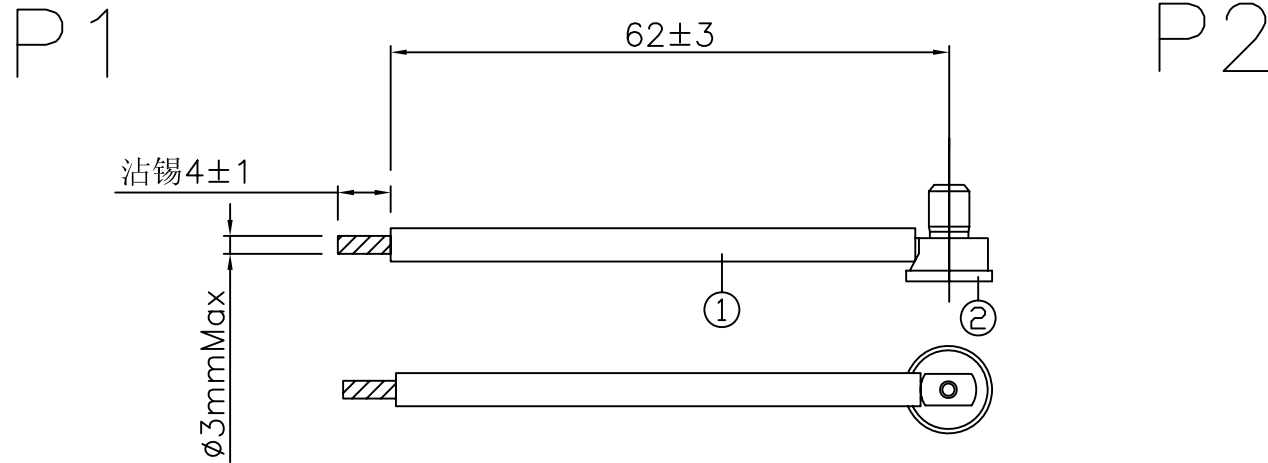




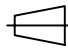
ROHS+REACH

NO.	DATE	DESCRIPTION	APPROVAL



NOTES:

- 1.100% CONTINUNY TEST ANY OPEN OR MIS WIRE, SHORT OR INTERMITENCE ARE NOT PERMITTED
- 2.INSULATION RESISTANCE:20M OHMS MIN
- 3.CONDUCTOR RESISTANCE:3Ω MAX

				DRAWING:	TOLERANCE	 CHIN-BAN electronics (H.K.) co., ltd	
				<i>LFW</i> 2015.12.28	.X:±0.50 .XX:±0.30 .XXX:±0.10	DESCRIPTION: H20P to open	
				CHECKED: <i>Ricky</i> 2015.12.28	 	CUSTOMER NO:A1262	
②	HSG	零件 H20P****	1PCS	APPROVAL: <i>Cykin</i> 2015.12.28	UNIT: MM	PART NO: A-HSJO-40GI-F065	
①	Wire	UL1015 12AWG(65/0.25TS) OD:4.0mm 黑色	1PCS		SCALE: N/A	CUSTOMER P/N:	
Item	Title	Specification	Q'TY	Note	SHEET: 1/1	REV: 1.0 SIZE: A4	